



Installing and Using Exacq Edge

What is Exacq Edge

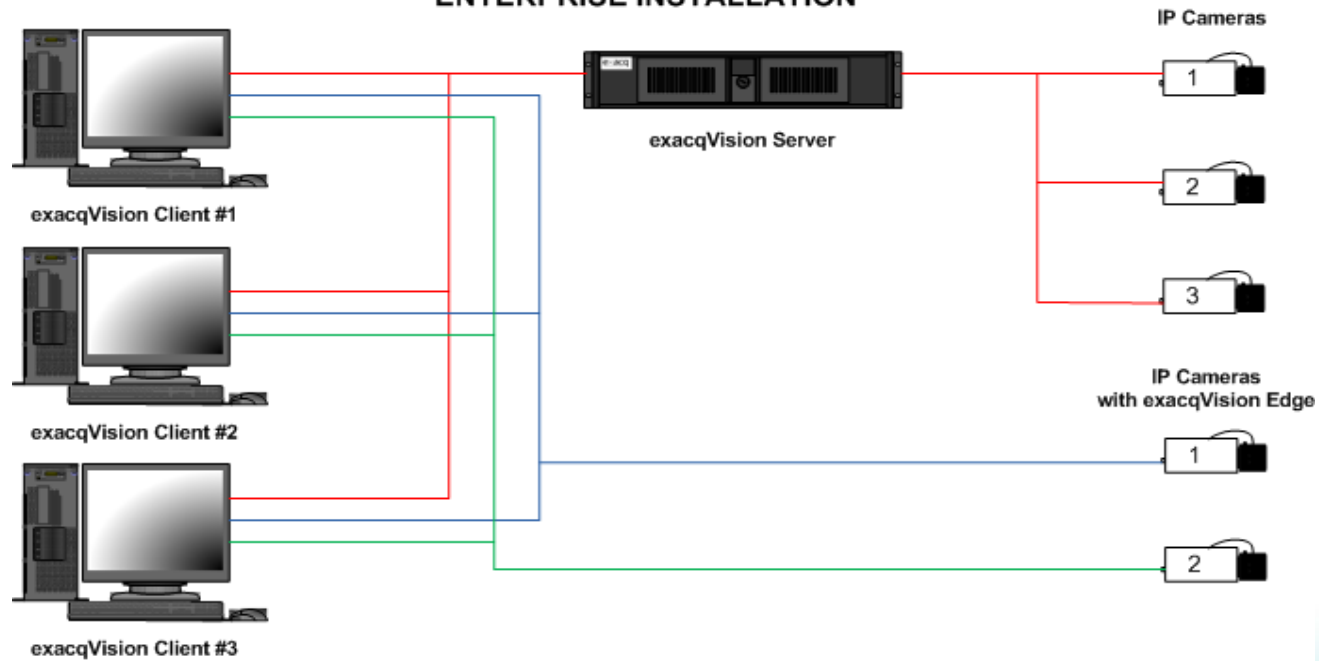
- > Exacq's NVR system running in a camera
- > Looks like traditional PC based Exacq server with a single camera attached
- > Stores data to local storage (camera SD card)
- > Zero-bandwidth solution for recording

Typical Exacq Edge Installations

STANDALONE INSTALLATION



ENTERPRISE INSTALLATION



What do I need for Exacq Edge

- > IQinVision camera
 - IQA3xx or IQ76xx running V4.0/069 or later
 - IQD5xx or IQM5xx running V4.0/069 or later
 - IQR5xx running V4.0/069 or later
- > SDHC or uSDHC media card
 - See the IQeye knowledge base article for supported cards
 - <https://iqinvision.zendesk.com/entries/46439946-Supported-SD-cards>
- > IQinVision application file (.iqa) that gets loaded on the camera
- > Edge license from Exacq for each camera
- > Exacq Smart Client software

- > Optional components
 - NAS box – Archives recorded data from the SD media card
 - Web Service – Runs on host PC to provide external network access to camera data

Downloads from Exacq

> Exacq Edge Installation Guide

- Guide written by Exacq and IQinVision, “exacqVision Edge for IQeye”
- Documents complete procedure to install Exacq Edge
- <https://exacq.com/auto/specsheet/uploads/exacqVision%20Edge-IQEye%20QSG.pdf>

> IQeye camera application file (.iqa)

- Exacq NVR software built to run as an application in IQeye cameras
- <https://exacq.com/reseller/exacqvisionServer-iqeye.iqa>
- Username: guest, password exacqvisionip

> Exacq Smart Client installer

- Client program used to manage and view multiple NVR (camera) clients
- <https://exacq.com/reseller/exacqvisionClient.exe>
- Username: guest, password exacqvisionip

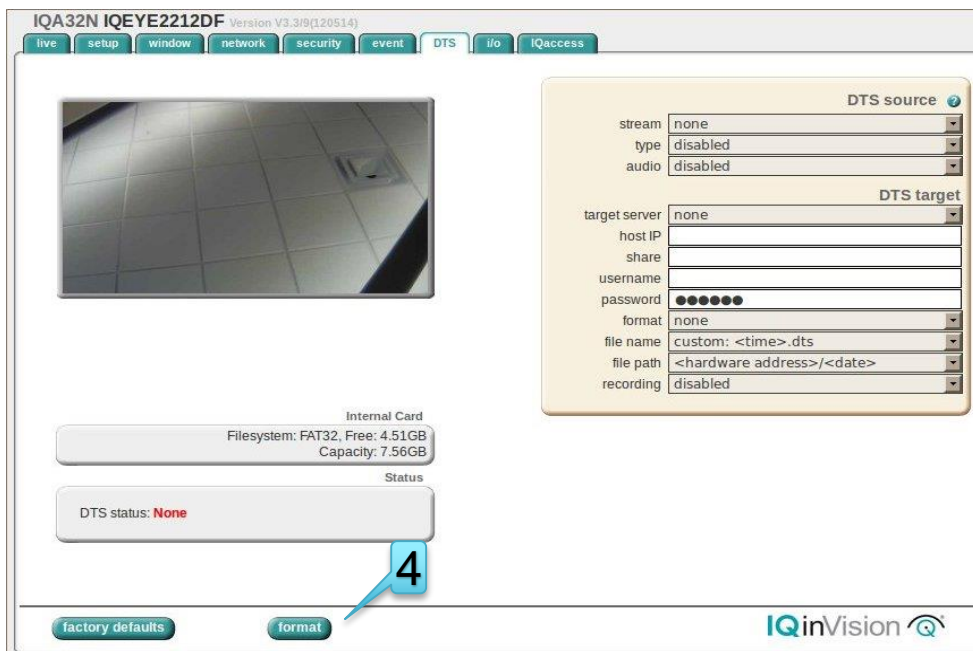
> Exacq Trial license

- Allows Edge application to run for 45 days
- <https://exacq.com/trialkey/?type=Server&product=Edge>

Installing Edge on IQ cameras

Part 1 – Install and verify SD card

1. Power down camera
2. Insert SD or uSD card into camera
3. Power up camera, login and navigate to the DTS tab



4. Ensure the capacity for the SD card is correct. If not, format the card using the format button

Installing Edge on IQ cameras

Part 2 – Load the Exacq Edge application (.iqa) file

5. Navigate to the Security tab

The screenshot shows the web interface for an IQA32N IQEYE2212DF camera. The 'security' tab is selected. On the left, there is a live camera feed and a summary of camera information and licenses. The main area is divided into 'basic' and 'advanced' sections. The 'advanced' section contains 'Passwords', 'Access Hours', 'Camera Firmware', 'Camera License', and 'Camera Application' settings. The 'Camera Application' section has a 'Choose File' button (highlighted with a blue callout '6') and an 'upload' button (highlighted with a blue callout '7').

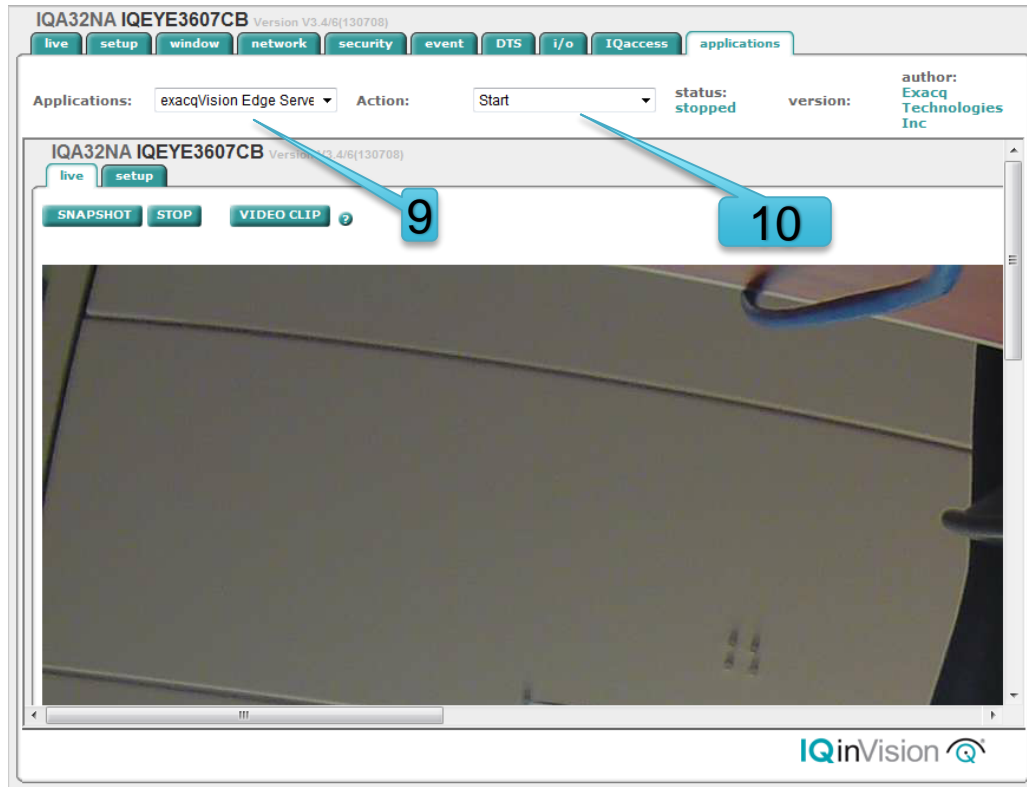
6. Select “Choose File” and locate the .iqa file downloaded earlier

7. Select “upload” to install the Edge application

Installing Edge on IQ cameras

Part 3 – Verify Edge is running

8. Navigate to the Applications tab



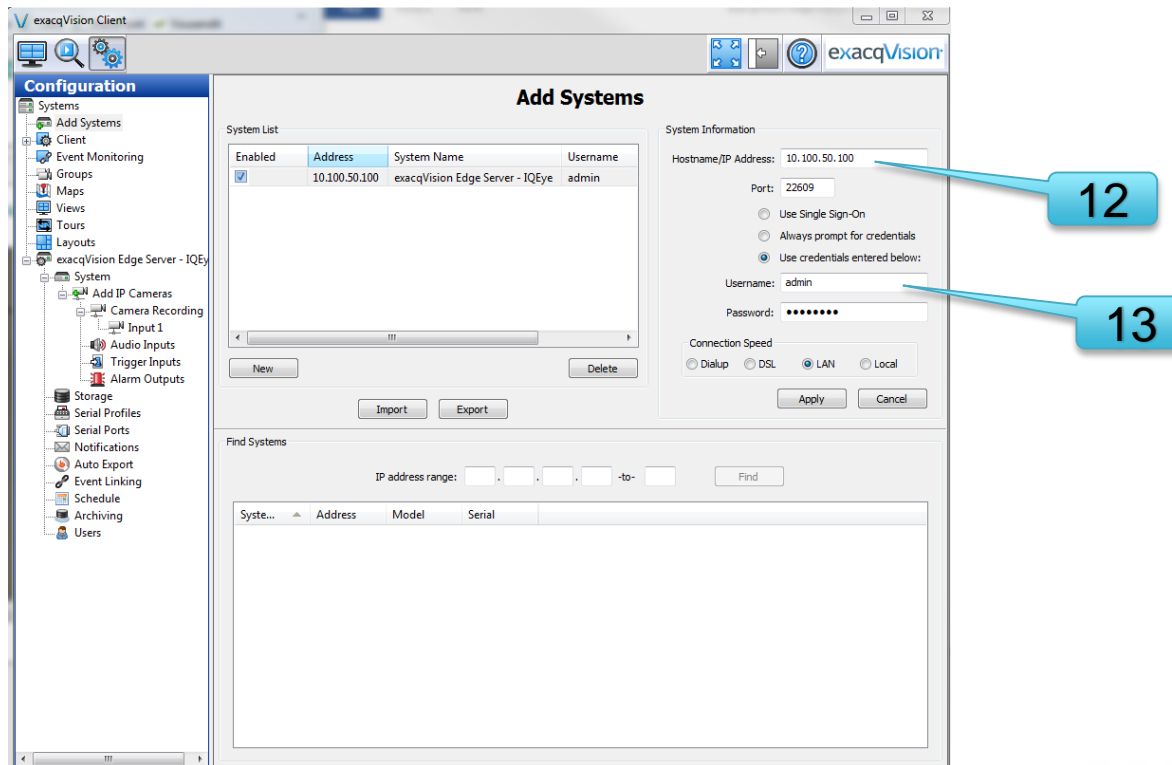
9. In the Applications pull-down menu select exacqVision Edge Server

10. In the Action menu select Start. After several minutes refreshing the screen will show the status as running.

Installing Edge on IQ cameras

Part 4 – Install smart client and connect to camera

11. Install the Exacq client on your PC and start it up
12. In the “Add System” dialog click new and add the camera’s IP address
13. Use the default Exacq username “admin” and password “admin256”

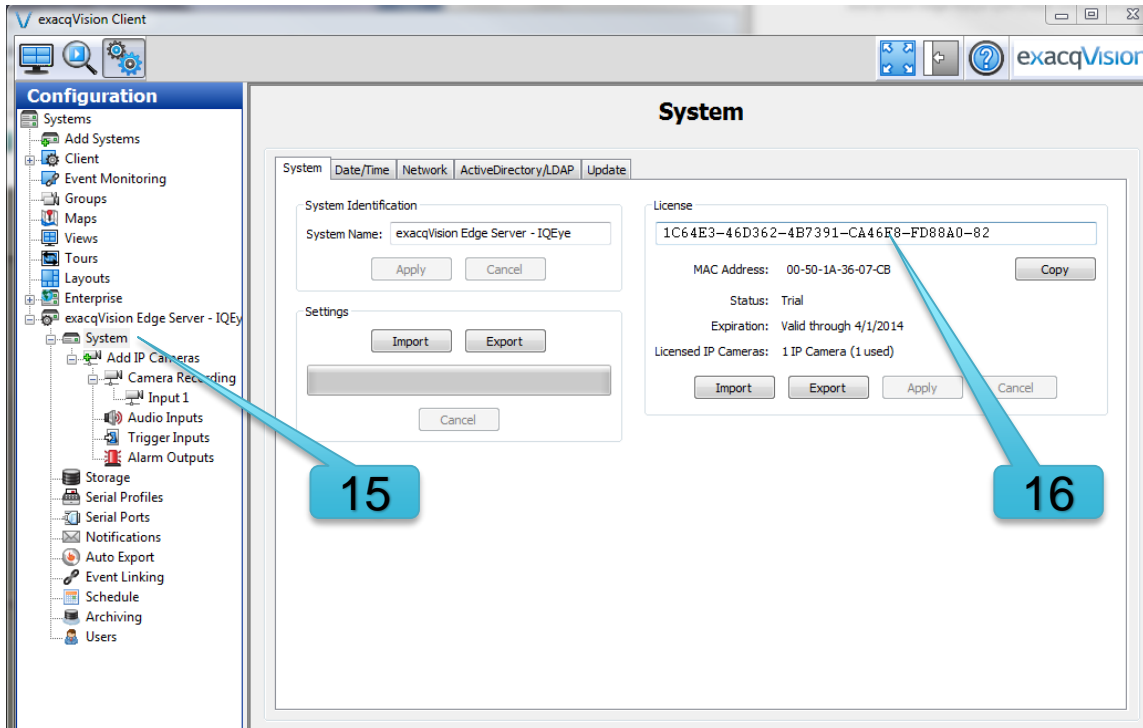


14. The server status should say connected

Installing Edge on IQ cameras

Part 5 – Install Exacq license

15. In the camera that was just added select the “System” page
16. Enter the license that you received from Exacq



17. The license status should update based on the type of license entered

Installing Edge on IQ cameras

Part 6 – Configure Exacq recording options

The Exacq Edge client is now installed and licensed.

> Remaining steps include

- Configuring recording codec, resolution and frame rate using the “Camera Recording” tab
- Configure image and motion parameters using the “Input 1” tab
- Configure motion or full-time recording using the “Schedule” tab

> Optional steps include

- Configure archiving to an external server using the “Archiving” tab
- Setup an external PC for viewing outside the local IP network